

590TPA Series Electronic Faucet with Surface Mount Control Box



590TPA0120

SPECIFICATION: (EXAMPLE)

- Battery and plug-in models – supplied as complete product
- Hardwire – requires separate order of AC filter and transformer
- Less power – units supplied with ganging/splitter cable for use with plug-in model (1 plug-in unit can be used to connect up to 4 less power units)
- **Proximity® Sensing Technology**
- Chrome-plated **CAST** hi-rise spout
- **Battery** (4 'C' cell) or **Plug-in** (power supply included) or **Hardwire** (24 VAC) deckmount electronic handwash system
- Adjustable sensing range and timeout
- Surface mount control box
- Mixing valve required (order separately)
- Serviceable filter screen upstream of the valve
- and... with... (specify battery, plug-in or hardwire)
- with... (add outlet required)
- with... (4" or 8" coverplates – specify separately – see next pages)
- with... (for plug-in or hardwire with battery backup – specify separately – see next pages)
- with... (AC filter and transformer required for hardwire models – specify separately – see next pages)

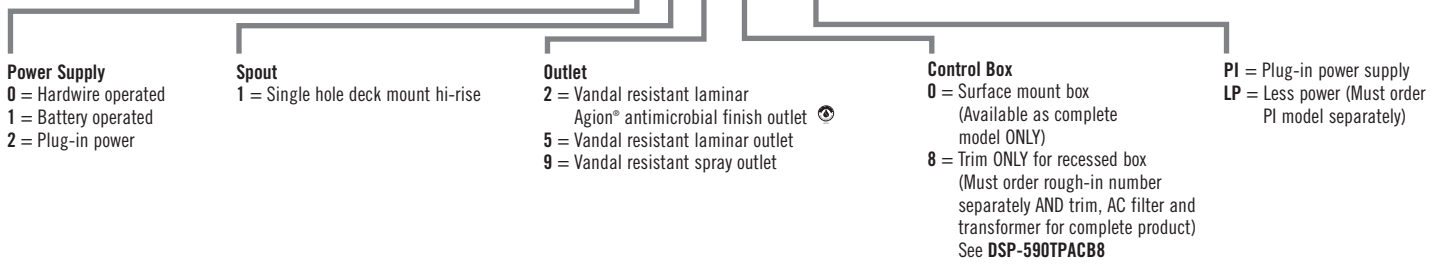
Engineer/Architect Approval	
Model Specified:	
Approval:	Date:

MODEL NUMBER EXAMPLE:

Configurations vary, see below for availability.

590TPA0120-PI-TR

TR **ONLY** used for recessed box
(not required for surface box)



AVAILABLE MODELS	SURFACE MOUNT CONTROL BOX			
	HARDWIRE	BATTERY OPERATED	PLUG-IN	LESS POWER
1 Deck Mount Hi-Rise Spout	1 Deck Mount Hi-Rise Spout	1 Deck Mount Hi-Rise Spout	1 Deck Mount Hi-Rise Spout	1 Deck Mount Hi-Rise Spout
2 Vandal Resistant Laminar Agion® Antimicrobial Finish Outlet 1.5 gpm (5.7 L/min)	590TPA0120	590TPA1120	590TPA2120-PI	590TPA2120-LP
5 Vandal Resistant Laminar Outlet 0.5 gpm (1.9 L/min)	590TPA0150	590TPA1150	590TPA2150-PI	590TPA2150-LP
9 Vandal Resistant Spray Outlet 0.35 gpm (1.32 L/min)	590TPA0190	590TPA1190	590TPA2190-PI	590TPA2190-LP

Refer to www.specselect.com for individual models.

Batteries included on all battery models.
Agion® is a registered trademark of Agion® Technologies, Inc.

Flow Rates are at 60 PSI.
Note: Use all pages as product submittal sheets.

Delta reserves the right (1) to make changes in specifications and materials, and (2) to change or discontinue models, both without notice or obligation. Dimensions are for reference only. See current full-line price book or www.specselect.com for finish options and product availability.

590TPA Series Electronic Faucet with Surface Mount Control Box

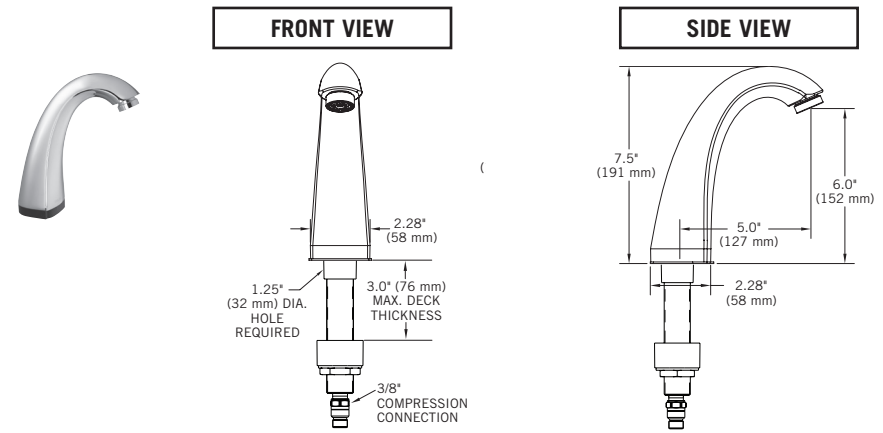
TECK
COMMERCIAL



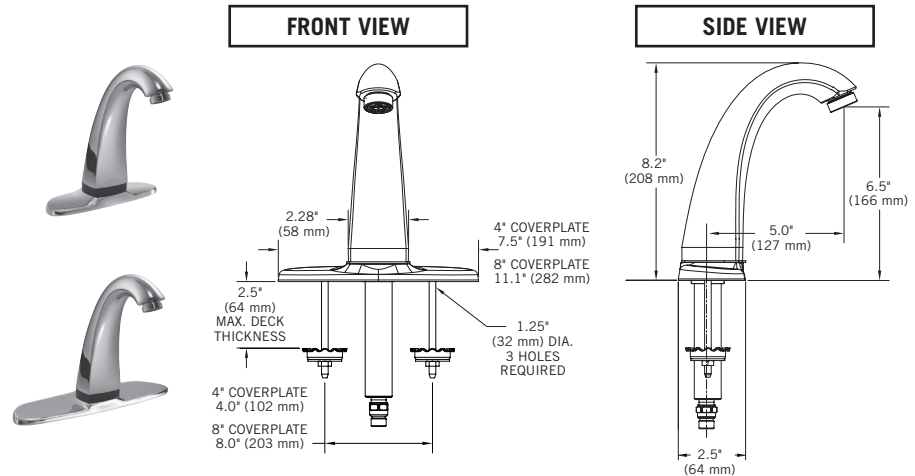
590TPA SERIES

- Vandal resistant laminar Agion® antimicrobial finish outlet 1.5 gpm (5.7 L/min)
 - ❑ 590TPA0120 (Hardwire)
 - ❑ 590TPA1120 (Battery)
 - ❑ 590TPA2120-PI (Plug-in)
 - ❑ 590TPA2120-LP (Less Power)
- Vandal resistant laminar outlet 0.5 gpm (1.9 L/min)
 - ❑ 590TPA0150 (Hardwire)
 - ❑ 590TPA1150 (Battery)
 - ❑ 590TPA2150-PI (Plug-in)
 - ❑ 590TPA2150-LP (Less Power)
- Vandal resistant spray outlet 0.35 gpm (1.32 L/min)
 - ❑ 590TPA0190 (Hardwire)
 - ❑ 590TPA1190 (Battery)
 - ❑ 590TPA2190-PI (Plug-in)
 - ❑ 590TPA2190-LP (Less Power)

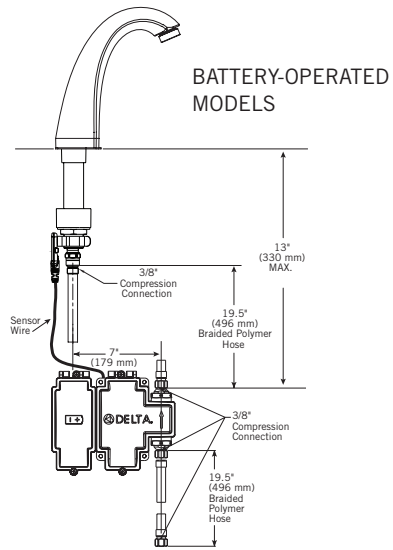
590TPA SERIES



4" AND 8" COVERPLATE (ORDER SEPARATELY)



TYPICAL INSTALLATION



OPTIONAL COVERPLATES	
PRODUCT NO.	DESCRIPTION
061159A	4" Coverplate
061160A	8" Coverplate

Available optional coverplates for field conversion. Includes anti-rotation pin for secure public lavatory installation.

APPROVALS:

- CSA certified
 - Complies to ASME A112.18.1/CSA B125.1
 - Indicates compliance to ICC/ANSI A117.1
 - Outlet option 2 is EPA WaterSense listed
 - Verified compliant with 0.25% weighted average Pb content regulations
- (Contact Delta Representative for State and/or Local Approvals.)

Patented

Note: Measurements may vary ± 6mm (0.25")

Batteries included on all battery models. Refer to www.specselect.com for individual models.

Flow Rates are at 60 PSI. Note: Use all pages as product submittal sheets.

Delta reserves the right (1) to make changes in specifications and materials, and (2) to change or discontinue models, both without notice or obligation. Dimensions are for reference only. See current full-line price book or www.specselect.com for finish options and product availability.

590TPA Series Electronic Faucet with Surface Mount Control Box

TECK[®]
COMMERCIAL

DELTA[®]

590TPA0 SERIES – HARDWIRE MODELS

- Vandal resistant laminar Agion[®] antimicrobial finish outlet 1.5 gpm (5.7 L/min)
- ❑ **590TPA0120**
- Vandal resistant laminar outlet 0.5 gpm (1.9 L/min)
- ❑ **590TPA0150**
- Vandal resistant spray outlet 0.35 gpm (1.32 L/min)
- ❑ **590TPA0190**

OPERATION:

- Hands free (touchless) operation.
- No visible sensor, the spout is the sensor.
- Water flows when sensing is activated.
- Water flow stops upon de-activation of sensing.
- Adjustable sensing distance, factory set to approximately 3" (76 mm).
- Adjustable auto shut off feature. Factory set to 45 seconds.
- Metering mode with selectable flow times of 7 seconds to 4 minutes, factory set off.
- Periodic Rinse feature, time adjustable in 6 hour increments up to 2 days. Selectable rinsing time from 10 to 180 seconds. Factory set off.

NOTE 1: Designed for routine 180°F (82°C) disinfection cycles up to 10 minutes.

NOTE 2: Use only Delta[®] supplied cable sets. Using non-Delta[®] cables, cutting or splitting any components will void the warranty.

NOTE 3: Proximity[®] models not for use on enamel covered metal sinks or metal counter tops.

NOTE 4: Use 2-conductor 18 AWG wire for all electrical connections.

NOTE 5: Use Delta[®] Commercial approved AC filters and transformers.

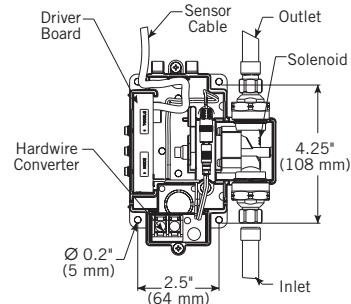
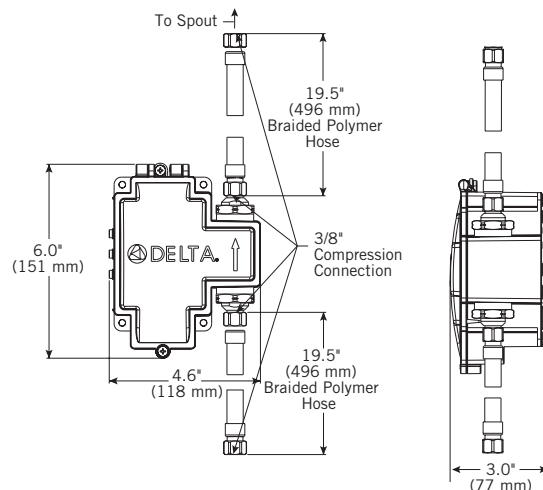
HARDWIRE MODELS

20 VA TRANSFORMER CONFIGURATION

- A maximum of one (1) AC filter can be connected to a 20 VA transformer
- A maximum combination of five (5) Delta[®] Commercial faucets and/or flush valves can be connected to the AC filter
- See Maintenance and Installation guide for example of 40 VA transformer

NOTE:
AC filter and transformer required.
(Order separately).

20 VA TRANSFORMER



ACCESSORIES

060704A	120 to 24 VAC Class 2 20 VA (Up to 5 Electronic Valves)
060771A	120 to 24 VAC Class 2 40 VA (Up to 10 Electronic Valves)
061256A	36" Sensor Cable Extension
063271A*	AC Filter 24 VAC to 18 VDC (Up to 5 Electronic Valves)
063267A*	AC Filter 24 VAC to 18 VDC plus 120 to 24 VAC Class 2 20 VA (Up to 5 Electronic Valves)

AVAILABLE OPTIONS FOR FIELD CONVERSION

❑ **063268A**

Hardwire with Battery Backup

See **DSP-BBBox** for detailed specification.

❑ **060651A**

3 Position Switch

See **DSP-ELACC** for detailed specification.

Note: Measurements may vary \pm 6mm (0.25")

*Note: AC filter required for hardwire Proximity[®] models. One (1) AC filter for up to 5 valves.

Refer to www.specselect.com for individual models.

Flow Rates are at 60 PSI.
Note: Use all pages as product submittal sheets.

Delta reserves the right (1) to make changes in specifications and materials, and (2) to change or discontinue models, both without notice or obligation. Dimensions are for reference only. See current full-line price book or www.specselect.com for finish options and product availability.

DSP-590TPACB0 Rev. A

590TPA Series Electronic Faucet with Surface Mount Control Box

TECK
COMMERCIAL

DELTA

590TPA1 SERIES BATTERY-OPERATED MODELS

- Vandal resistant laminar Agion® antimicrobial finish outlet 1.5 gpm (5.7 L/min)
- ❑ **590TPA1120**
- Vandal resistant laminar outlet 0.5 gpm (1.9 L/min)
- ❑ **590TPA1150**
- Vandal resistant spray outlet 0.35 gpm (1.32 L/min)
- ❑ **590TPA1190**

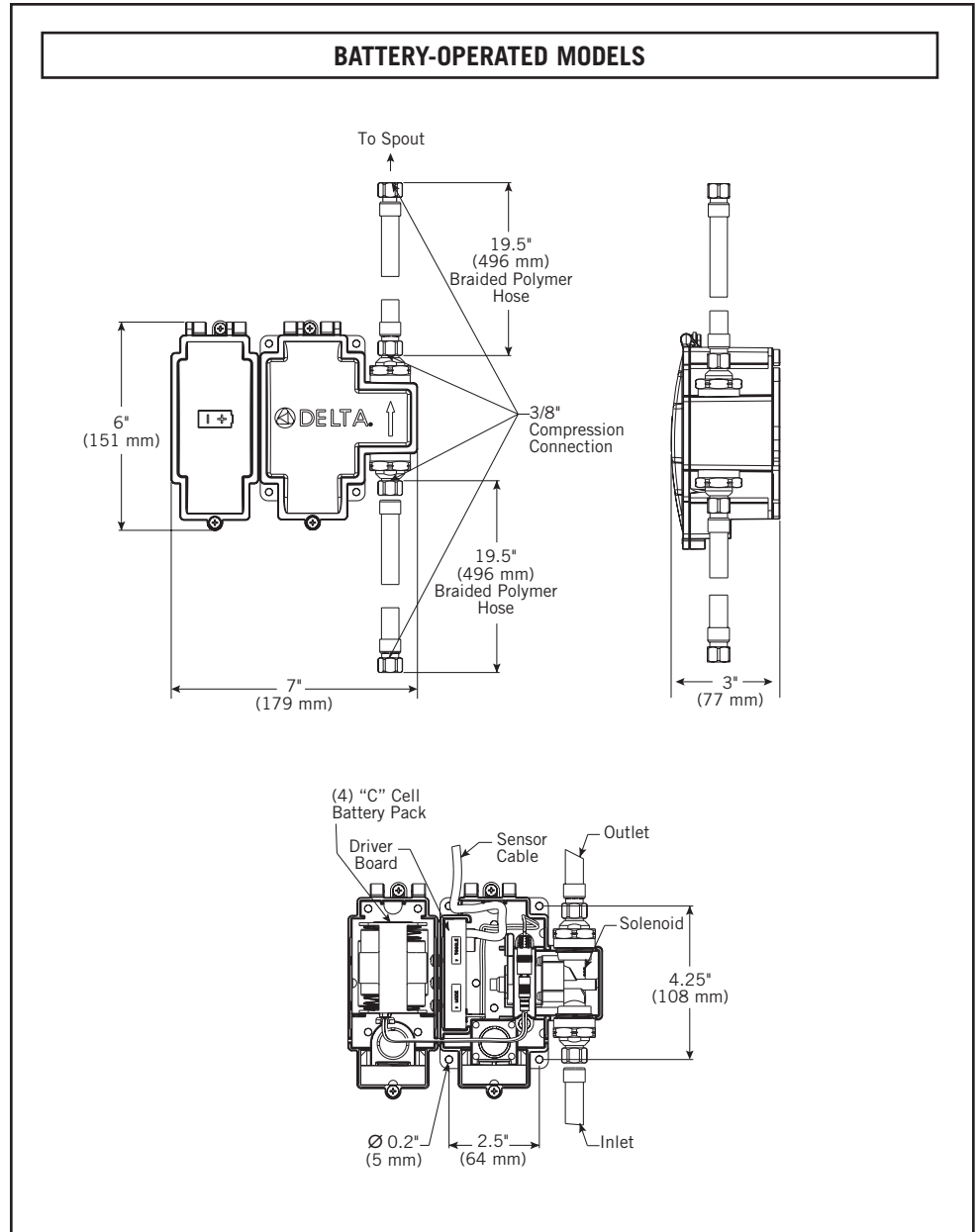
OPERATION:

- Hands free (touchless) operation.
- No visible sensor, the spout is the sensor.
- Water flows when sensing is activated.
- Water flow stops upon de-activation of sensing.
- Adjustable sensing distance, factory set to approximately 3" (76 mm).
- Low battery audible beep (for battery models only) will activate after faucet shuts off when low battery condition exists.
- Adjustable auto shut off feature. Factory set to 45 seconds.
- Metering mode with selectable flow times of 7 seconds to 4 minutes, factory set off.
- Periodic Rinse feature, time adjustable in 6 hour increments up to 2 days. Selectable rinsing time from 10 to 180 seconds. Factory set off.

NOTE 1: Designed for routine 180°F (82°C) disinfection cycles up to 10 minutes.

NOTE 2: Use only Delta® supplied cable sets. Using non-Delta® cables, cutting or splitting any components will void the warranty.

NOTE 3: Proximity® models not for use on enamel covered metal sinks or metal counter tops.



AVAILABLE OPTIONS FOR FIELD CONVERSION

- ❑ **060651A**
3 Position Switch
See **DSP-ELACC** for detailed specification.

ACCESSORIES

061256A	36" Sensor Cable Extension
---------	----------------------------

Note: Measurements may vary ± 6mm (0.25")

Batteries included on all battery models.
Refer to www.specselect.com for individual models.

Flow Rates are at 60 PSI.
Note: Use all pages as product submittal sheets.

DSP-590TPACBO Rev. A

Delta reserves the right (1) to make changes in specifications and materials, and (2) to change or discontinue models, both without notice or obligation. Dimensions are for reference only. See current full-line price book or www.specselect.com for finish options and product availability.

590TPA Series Electronic Faucet with Surface Mount Control Box

TECK
COMMERCIAL

DELTA

590TPA2 SERIES PLUG-IN MODELS

- Vandal resistant laminar Agion® antimicrobial finish outlet 1.5 gpm (5.7 L/min)
- ❑ **590TPA2120-PI**
- Vandal resistant laminar outlet 0.5 gpm (1.9 L/min)
- ❑ **590TPA2150-PI**
- Vandal resistant spray outlet 0.35 gpm (1.32 L/min)
- ❑ **590TPA2190-PI**

OPERATION:

- Hands free (touchless) operation.
- No visible sensor, the spout is the sensor.
- Water flows when sensing is activated.
- Water flow stops upon de-activation of sensing.
- Adjustable sensing distance, factory set to approximately 3" (76 mm).
- Adjustable auto shut off feature. Factory set to 45 seconds.
- Metering mode with selectable flow times of 7 seconds to 4 minutes, factory set off.
- Periodic Rinse feature, time adjustable in 6 hour increments up to 2 days. Selectable rinsing time from 10 to 180 seconds. Factory set off.

NOTE 1: Designed for routine 180°F (82°C) disinfection cycles up to 10 minutes.

NOTE 2: Use only Delta® supplied cable sets. Using non-Delta® cables, cutting or splitting any components will void the warranty.

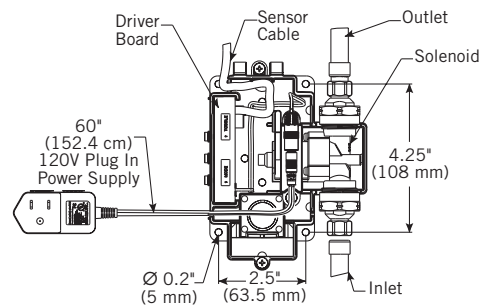
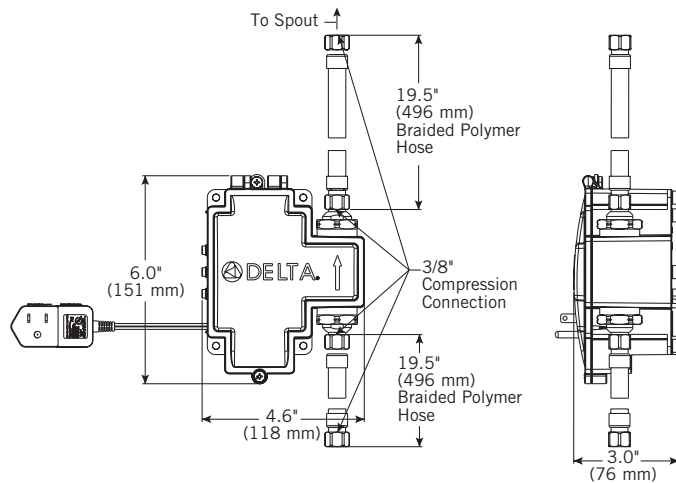
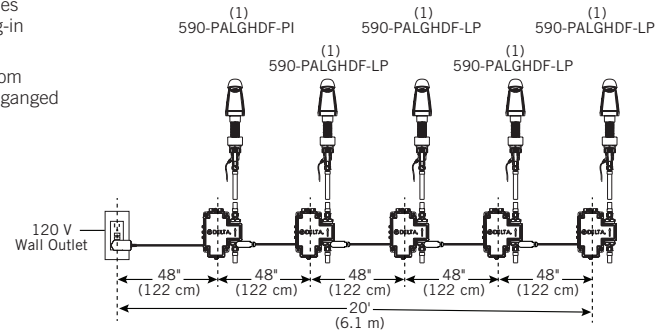
NOTE 3: Proximity® models not for use on enamel covered metal sinks or metal counter tops.

PLUG-IN MODELS

PLUG-IN AND LESS POWER FAUCET CONFIGURATION

- A maximum combination of 5 faucets or 4 ganging cables can be connected to 1 plug-in power supply
- A maximum of 20' (6 m) from power source for 5 faucets ganged as shown in this example

EXAMPLE OF A BANK OF 5 FAUCETS GANGED:
(1) 590-PALGHDF-PI, (4) 590-PALGHDF-LP



AVAILABLE OPTIONS FOR FIELD CONVERSION

- ❑ **063268A**
Hardwire with Battery Backup
See **DSP-BBB** for detailed specification.
- ❑ **060651A**
3 Position Switch
See **DSP-ELACC** for detailed specification.

ACCESSORIES

061256A	36" Sensor Cable Extension
063266A*	Plug-in Power Supply (60") 6 VDC
063272A*	Ganging/Splitter Cable (60")

Note: Measurements may vary \pm 6mm (0.25")

*Note: Maximum combination of 5 faucets and 4 ganging cables can be connected to 1 plug-in power supply.

Refer to www.specselect.com for individual models.

Flow Rates are at 60 PSI.
Note: Use all pages as product submittal sheets.

Delta reserves the right (1) to make changes in specifications and materials, and (2) to change or discontinue models, both without notice or obligation. Dimensions are for reference only. See current full-line price book or www.specselect.com for finish options and product availability.

DSP-590TPACB0 Rev. A

590TPA Series Electronic Faucet with Surface Mount Control Box

TECK
COMMERCIAL

DELTA

590TPA2 SERIES LESS POWER MODELS

- Vandal resistant laminar Agion® antimicrobial finish outlet 1.5 gpm (5.7 L/min)
- ❑ **590TPA2120-LP**
- Vandal resistant laminar outlet 0.5 gpm (1.9 L/min)
- ❑ **590TPA2150-LP**
- Vandal resistant spray outlet 0.35 gpm (1.32 L/min)
- ❑ **590TPA2190-LP**

OPERATION:

- Hands free (touchless) operation.
- No visible sensor, the spout is the sensor.
- Water flows when sensing is activated.
- Water flow stops upon de-activation of sensing.
- Adjustable sensing distance, factory set to approximately 3" (76 mm).
- Adjustable auto shut off feature. Factory set to 45 seconds.
- Metering mode with selectable flow times of 7 seconds to 4 minutes, factory set off.
- Periodic Rinse feature, time adjustable in 6 hour increments up to 2 days. Selectable rinsing time from 10 to 180 seconds. Factory set off.

NOTE 1: Designed for routine 180°F (82°C) disinfection cycles up to 10 minutes.

NOTE 2: Use only Delta® supplied cable sets. Using non-Delta® cables, cutting or splitting any components will void the warranty.

NOTE 3: Proximity® models not for use on enamel covered metal sinks or metal counter tops.

NOTE 4: Less Power (LP) models must be used with Plug-in (PI) model **ONLY**.

AVAILABLE OPTIONS FOR FIELD CONVERSION

❑ **063268A**

Hardwire with Battery Backup

See **DSP-BBBox** for detailed specification.

❑ **060651A**

3 Position Switch

See **DSP-ELACC** for detailed specification.

Note: Measurements may vary ± 6mm (0.25")

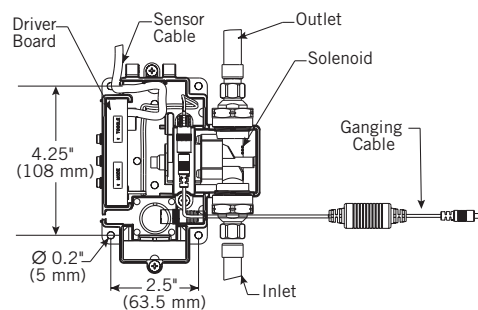
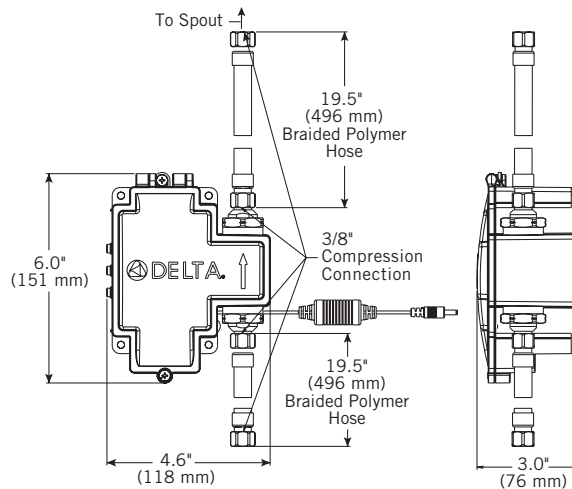
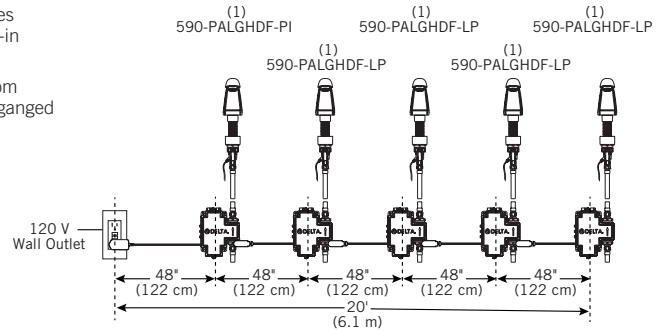
Refer to www.specselect.com for individual models.

LESS POWER MODELS

PLUG-IN AND LESS POWER FAUCET CONFIGURATION

- A maximum combination of 5 faucets or 4 ganging cables can be connected to 1 plug-in power supply
- A maximum of 20' (6 m) from power source for 5 faucets ganged as shown in this example

EXAMPLE OF A BANK OF 5 FAUCETS GANGED:
(1) 590-PALGHDF-PI, (4) 590-PALGHDF-LP



ACCESSORIES

061256A	36" Sensor Cable Extension
063266A*	Plug-in Power Supply (60") 6 VDC
063272A*	Ganging/Splitter Cable (60")

*Note: Maximum combination of 5 faucets and 4 ganging cables can be connected to 1 plug-in power supply.

Flow Rates are at 60 PSI.
Note: Use all pages as product submittal sheets.

Delta reserves the right (1) to make changes in specifications and materials, and (2) to change or discontinue models, both without notice or obligation. Dimensions are for reference only. See current full-line price book or www.specselect.com for finish options and product availability.